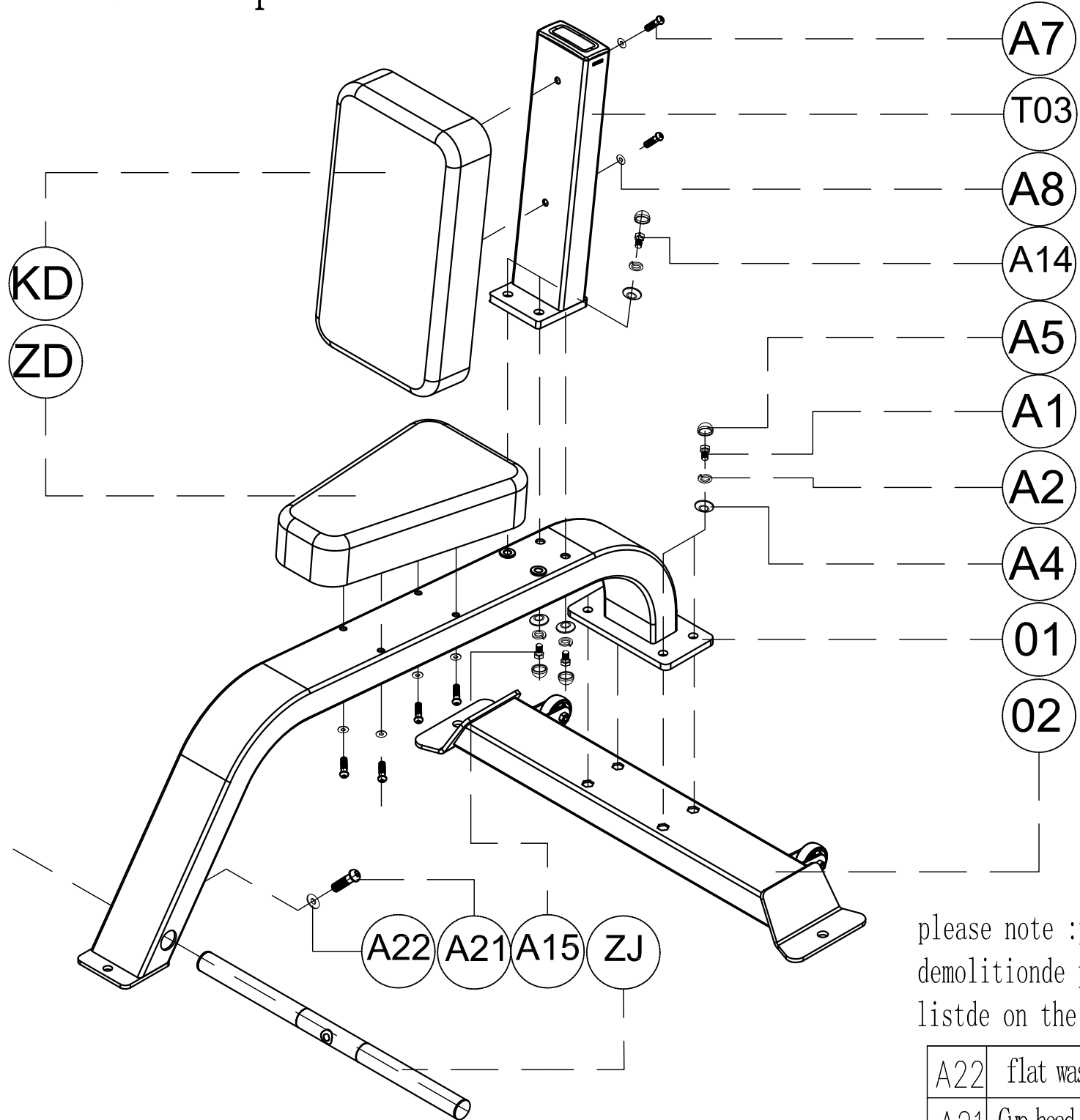


Exploded

E3038 Multi-Purpose Bench



please note :prats didn't
demolitionde part and fast eners not
listde on the introduction

A22	flat washer $\phi 12$	1
A21	Cup head inner hex screw M12*25	1
A15	Outer hexagon screw M12*65	2
A14	Outer hexagon screw M12*35	2
A8	flat washer $\phi 8.3 * \phi 20 * T1.5$	6
A7	Cup head inner hex screw M8*80	6
A5	cover $\phi 30$	8
A4	drum washer $\phi 12 * \phi 30 * T4$	8
A2	Spring washer $\phi 12$	8
A1	Outer hexagon screw M12*35	4
ZD	Upholstery	1
ZJ	footrest	1
KD	Backrest	1
T03	Backrest support set	1
02	ground tube	1
01	Main frame	1
serial number	name	quantity

